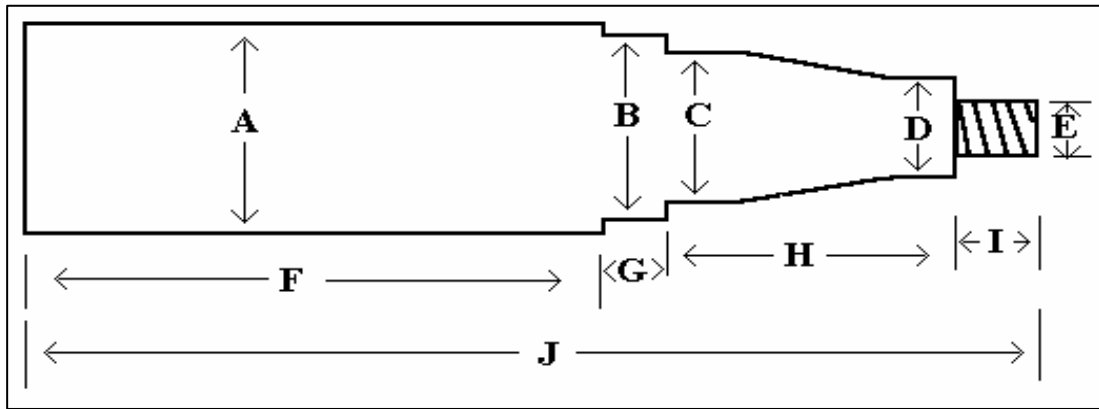


SPINDLE DIMENSIONS



Spindle	A	B	C	D	E	F	G	H	I	J
20-5	1.630	1.630			5/8	6.00				10.00
25-5	1.750	1.750	1.371	1.246	3/4	8.47	0.00	2.733	1.11	12.31
25-6	1.750	1.750	1.371	1.246	3/4	8.47	0.00	2.733	1.11	12.31
30-6	1.750	1.750	1.498	1.247	3/4	5.41	0.00	3.355	1.10	9.87
35-6	2.000	2.000	1.621	1.247	3/4	5.81	0.00	4.117	1.08	11.00
45-8	2.250	2.250	1.777	1.246	3/4	8.88	0.00	4.125	1.00	14.00
633	1.630	1.500	1.247	0.747	3/4	4.72	0.66	3.000	0.93	9.31
655	2.250	2.250	1.747	1.247	3/4	7.36	0.00	3.520	1.12	12.00
669	1.630	1.500	1.247	0.747	5/8	6.25	0.74	2.125	0.88	10.00
670	2.000	Bg Race	1.622	1.372	7/8	6.50	0.00	3.306	1.28	11.09
709	1.750	1.500	1.372	1.247	7/8	7.12	0.58	2.575	1.22	11.50
719	1.750	1.500	1.372	1.247	7/8	7.12	0.58	2.575	1.22	11.50
778	2.120	2.000	1.793	1.372	1	9.41	0.63	4.250	1.16	15.44
783	2.000	1.870	1.623	1.247	7/8	7.89	0.65	3.093	1.27	12.90
810	1.750	1.620	1.496	1.246	7/8	8.03	0.59	2.634	1.25	12.50
865	2.250	2.250	1.747	1.247	3/4	7.36	0.00	3.520	1.12	12.00
888	1.750	1.620	1.493	1.247	7/8	8.06	0.70	2.570	1.17	12.50
888	2.000	1.620	1.493	1.245	7/8	9.56	0.70	2.570	1.17	14.00
IH Disc	1.750	1.686	1.372	0.840	3/4	6.11	0.61	3.250	0.81	10.77
Utility	1.496	1.718	1.374	1.060	1	4.03	0.67	3.055	1.13	8.88

Not responsible for misprints in the above information.